



➔ **Product Type**
Full-Sized Rocker Switches

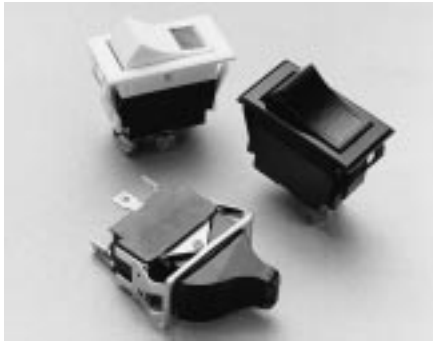
➔ **Product Series**
LTIL-Series: Tippette

The LTIL-Series are single pole illuminated rocker switches which are available with nylon snap-in or screw type mounting brackets. These switches are AC rated and also suitable for low voltage DC applications. They are offered in a wide range of single throw or double throw momentary and maintained circuits. They come in a variety of rocker colors and styles, lens colors, lamp voltages, and terminations.

Certifications	UL CSA
Number of Poles	1 pole

Ratings	10A 250VAC	
	15A 125VAC	
	1/2HP 125-250VAC	
	3A 250VAC	
	6A 125VAC	
	1/4HP 125-250VAC	
	12A 250VAC	
	17A 125VAC	
	3/4HP 125VAC	
	1HP 250VAC	
	Dielectric Strength	1,000 V RMS (minimum)
	Insulation Resistance	100 megohms (minimum)
Base Material	Phenolic	
Actuator Style	Cross Serrated Rocker	
	Long Lined Rocker	
	Smooth Angled Rocker	
	Curved Matte Rocker	
	Curved Smooth Rocker	
	Toggle	
Actuator Material	Nylon	
Bezel Material	Nylon or Steel	
Terminal Options	Solder Lugs	
	.250 QC Tabs	
	.187 QC Tabs	
	Screw Terminals	
	Wire Leads	
	PC Terminals	
Mounting Method	Snap-In or Screw Mount	
Mounting Hole Dimensions	.830" x 1.450"; 21.08mm x 36.83mm	
Value Added	Custom colors and legends available	
	Wire leads with connectors	
	Watershedding features	
	Special contact plating	

LTIL-Series



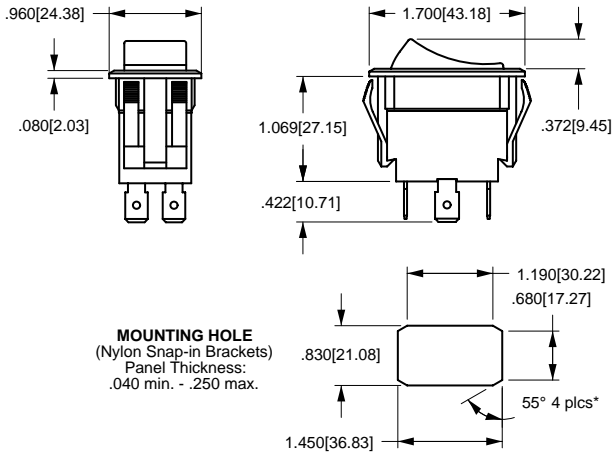
The LTIL-Series Tippette rocker switches are lighted, single pole and available with AC ratings to 17 amps. These switches are also suitable for low voltage DC applications. A variety of circuits, colors, terminations and lamp voltages are available.

Specifications

- Certifications*: UL, CSA
- Dielectric Strength: 1,000V (minimum)
- Insulation Resistance: 100 Megohms (minimum)
- Base Material: Phenolic
- Actuator Material: Nylon
- Bezel Material: Nylon or Steel

* Due to ongoing technological advances, consult factory for certification specifics.

Dimensional Specifications: in. [mm]



 .125[3.18] DIA .330[8.38] .187[4.74]	 .075[1.91] DIA .437[11.09] .250[6.35]	 .055[1.40] DIA .394[10.00] .187[4.74]
SOLDER LUG	.250 TAB (Q.C.)	.187 TAB (Q.C.)
TERMINAL TYPE		
 #6-32NC-2 THREAD .370[9.39] .286[7.26] .141[3.58]	 6.000[152.40] .500[12.70]	 .187[4.75] .187[4.75] .350[8.89]
SCREW (ASSEMBLED)	WIRE LEAD	PRINTED CIRCUIT

*Angled corners are suggested for optimum fit. Standard rectangular cutout is acceptable.

LTIL A 5 1 - 6S - BL - RC - NBL/ 125N

SERIES

LTIL SINGLE POLE
LIGHTED IN
DOUBLE POLE
BASE

CIRCUIT

A ON-NONE-OFF
B ON-NONE-ON
C ON-OFF-ON

NOTES:

Shading indicates standard configurations.
Panel Cut-Out Recommendations: For sheet metal panels, switch must enter panel in same direction as the punch. (Burr on bottom.) Test cut hole in actual material.

- 1 Imprinting available on smooth face rockers. Other actuator styles available. Consult factory.
- 2 Glossy finish is standard. Custom colors are available. Consult factory.
- 3 Green and blue lenses are not recommended with 125 volt or 250 volt neon lamps. For two different color lenses, please specify when ordering lens color. (ex.) RC/GN
- 4 Barbs are available on FN style bracket to accommodate panel thickness of .062, .100, .125, .156 and .250. Specify after bracket selection. (ex.) FN/125
MBL, NBL & WBL brackets are molded in black. If white is desired, specify as MWH, NWH & WWH. FN and FW brackets have a nickel-plated finish. Additional finishes are available; specify as follows: stainless steel: FN/SS; chrome: FN/CHR; black oxide: FW/BLK. FW bracket not available in stainless steel.
Bracket style MBL consists of LNP rocker, neoprene seal, syntech grease, dummy rivets.
MBL does not have UL & CSA approvals.
- 5 Actuator & Bracket Finish is a matched set.

RATING

5 10A 250VAC
15A 125VAC
1/2HP 125-250VAC
6 3A 250VAC
6A 125VAC
1/4HP 125-250VAC
7 12A 250VAC
17A 125VAC
3/4HP 125VAC
1HP 250VAC

ACTUATOR STYLE¹

1C CROSS SERRATED
1L LONG LINED
1S SMOOTH ANGLED
6M⁵ MATTE CURVED
(M, N OR W
BRACKETS ONLY)
6S SMOOTH CURVED
(M, N & W
BRACKETS ONLY)
7S TOGGLE

TERMINATION/FUNCTION

FUNCTION	.250 SOLDER LUG	.187 TAB (QC)	.187 TAB (QC)	SCREW TERM.	WIRE LEAD	PC TERM.
ON-NONE-OFF	0	1	3	4	5	6
(ON)-NONE-OFF	A	B	D	E	F	G
ON-NONE-(OFF)	L	M	R	S	T	U
ON-NONE-ON	0	1	3	4	5	6
ON-NONE-(ON)	A	B	D	E	F	G
ON-OFF-ON	0	1	3	4	5	6
ON-OFF-(ON)	A	B	D	E	F	G
(ON)-OFF-(ON)	L	M	R	S	T	U

ACTUATOR COLOR²

BL BLACK
WH WHITE

LENS COLOR³

AM AMBER
CL CLEAR
GN GREEN
LU BLUE
RC RED
WH WHITE

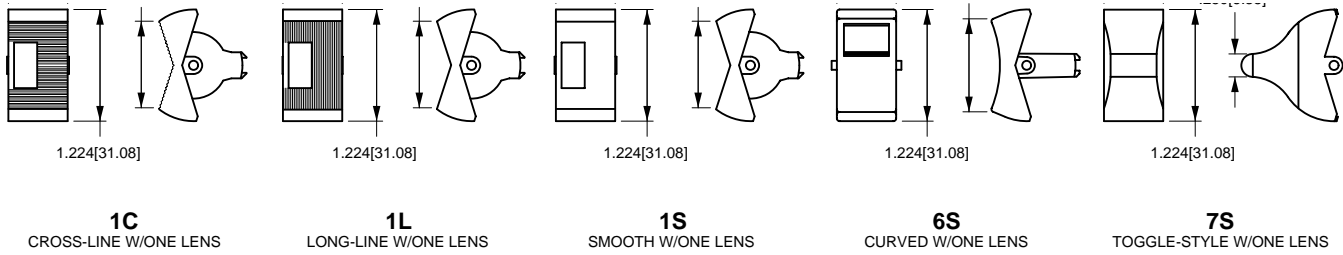
BRACKET STYLE⁴

A
B
C
FN NARROW
FW WIDE
MBL MARINE
NBL
WBL WATERSHEDDING

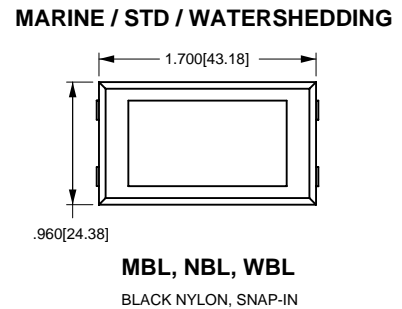
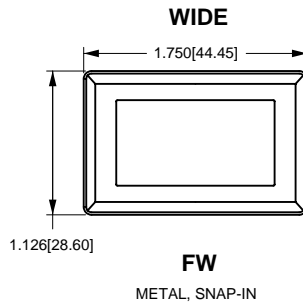
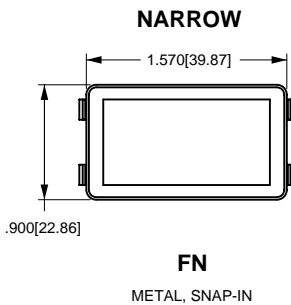
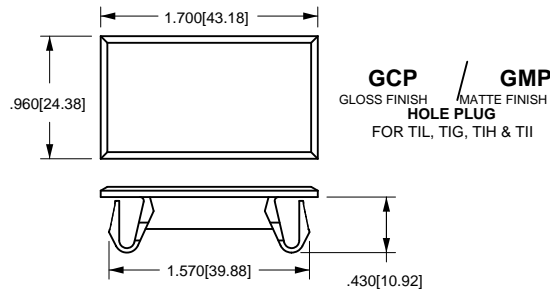
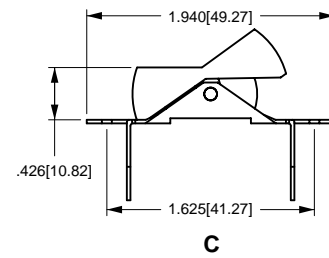
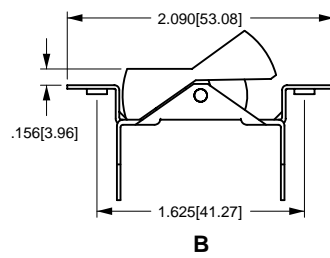
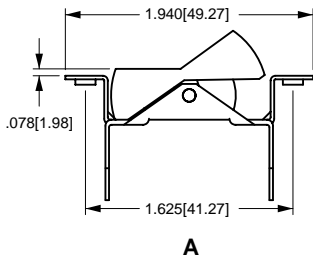
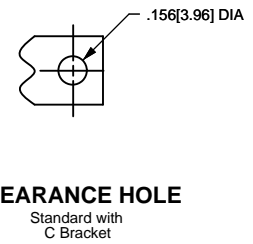
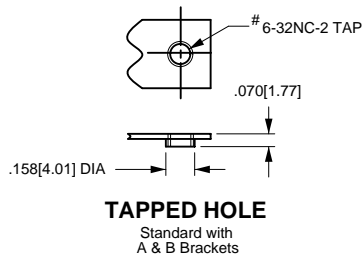
LAMP VOLTAGE

6V 6 VOLT/
INCANDESCENT
12V 12 VOLT/
INCANDESCENT
18V 18 VOLT/
INCANDESCENT
24V 24 VOLT/
INCANDESCENT
28V 28 VOLT/
INCANDESCENT
125N 125 VOLT/ NEON
250N 250 VOLT/ NEON

Actuator Style/Dimensions: in. [mm]



Bracket Dimensions: in. [mm]



NOTES
Double brackets supplied on LTIH-Series when B style bracket is specified. Consult factory for dimensional information.